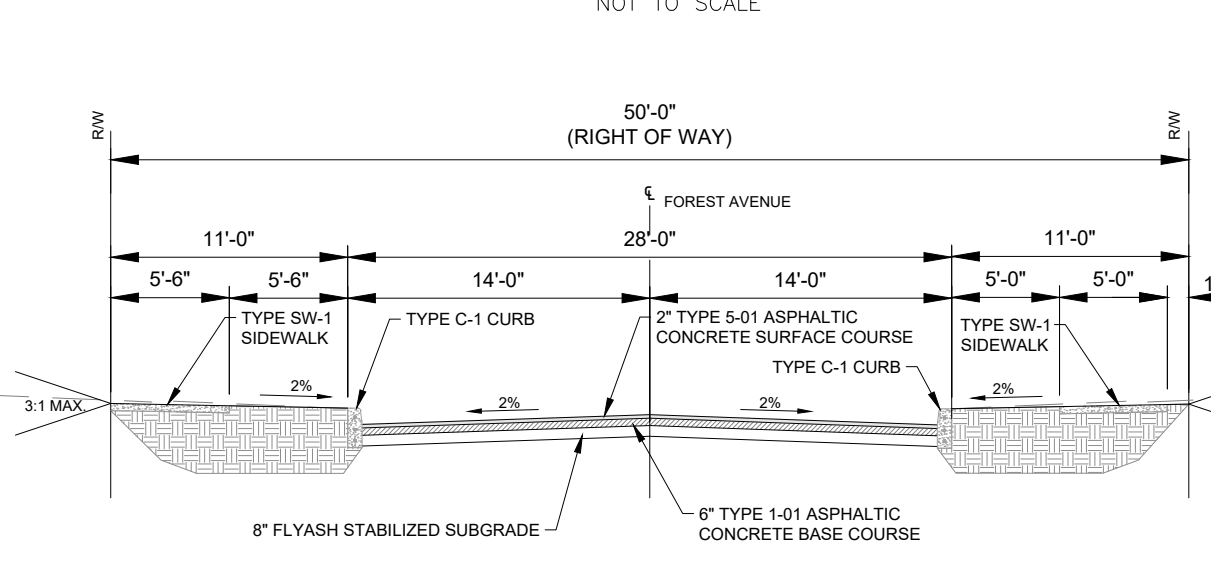
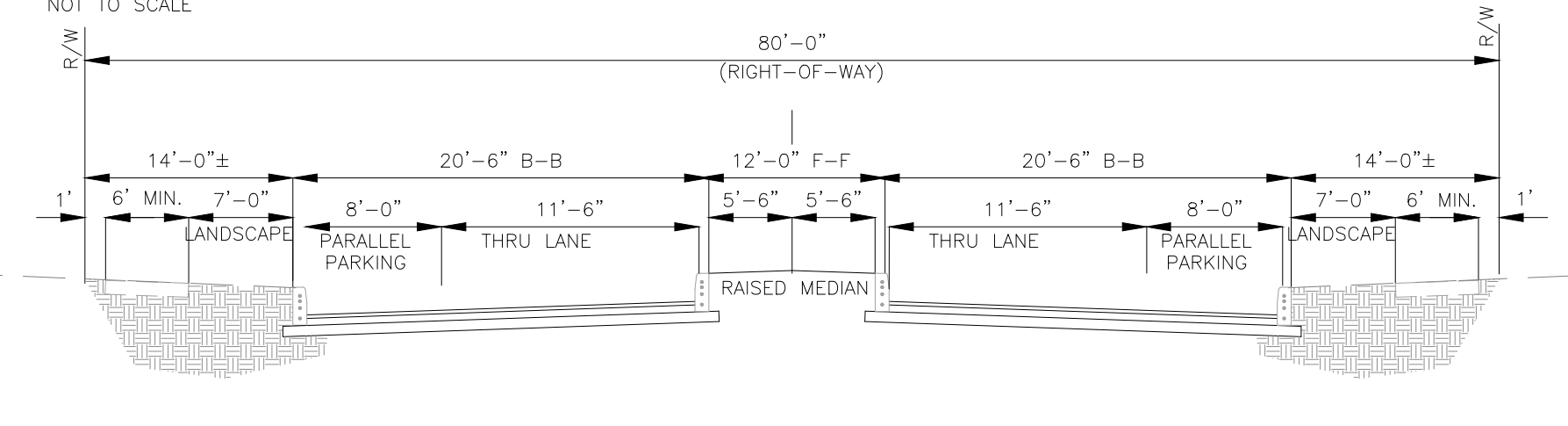
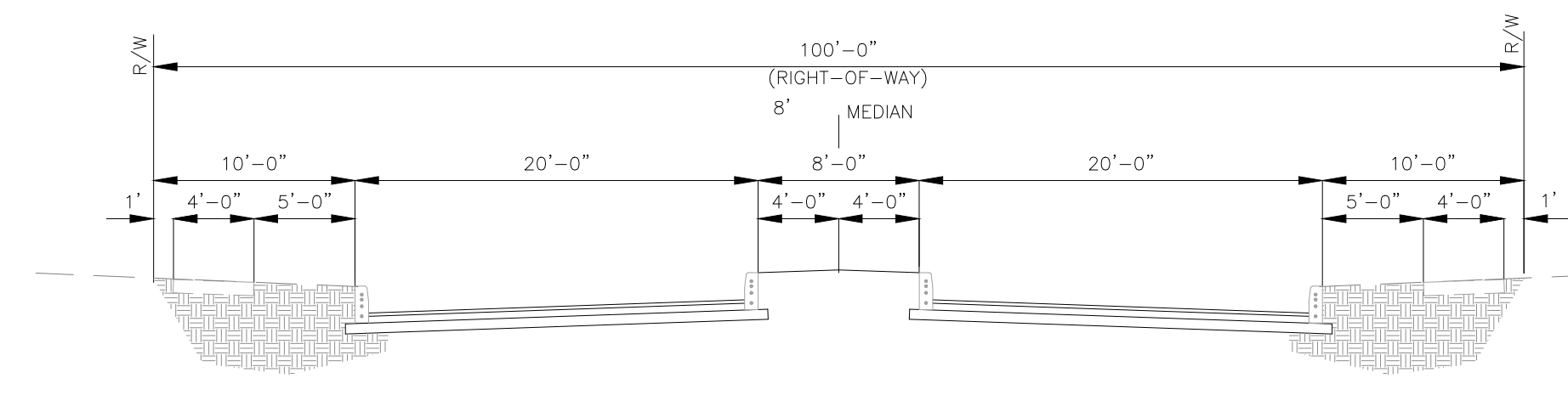
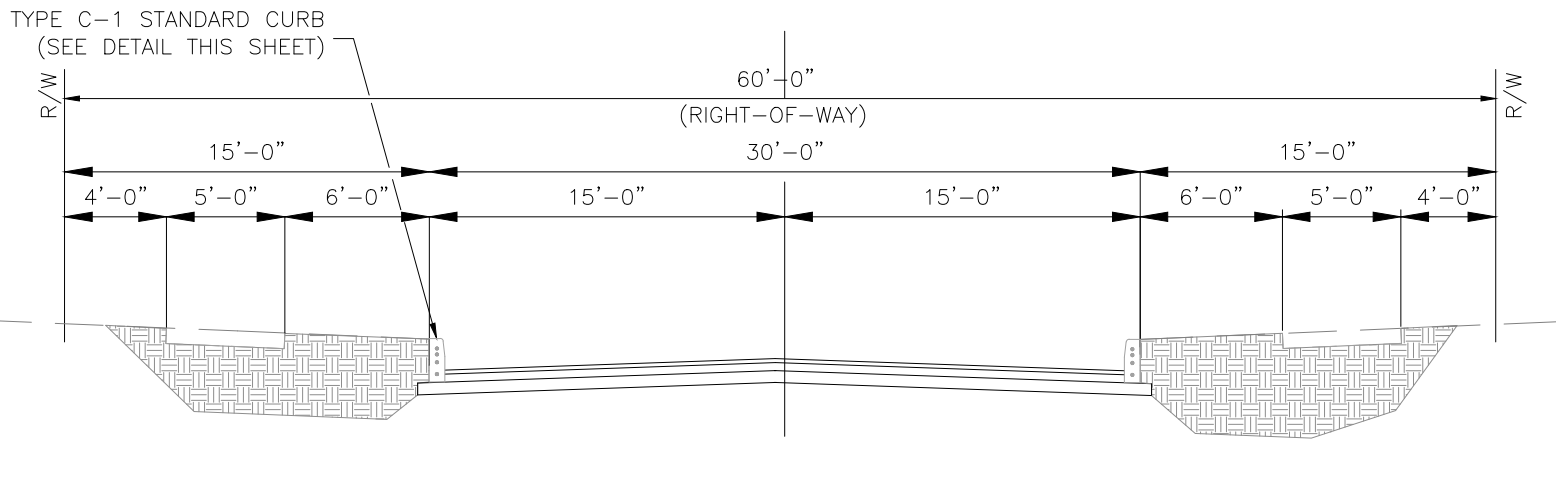
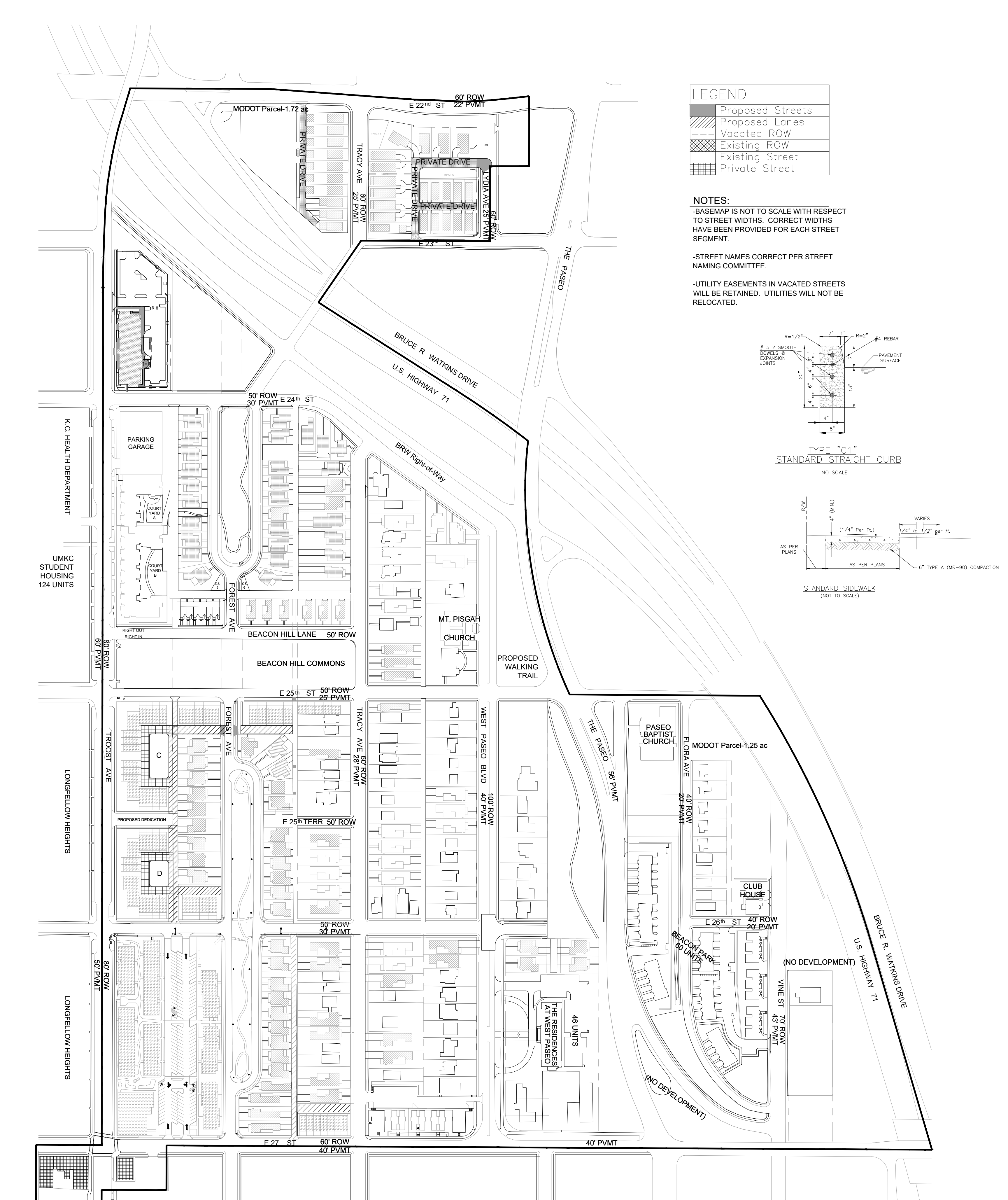
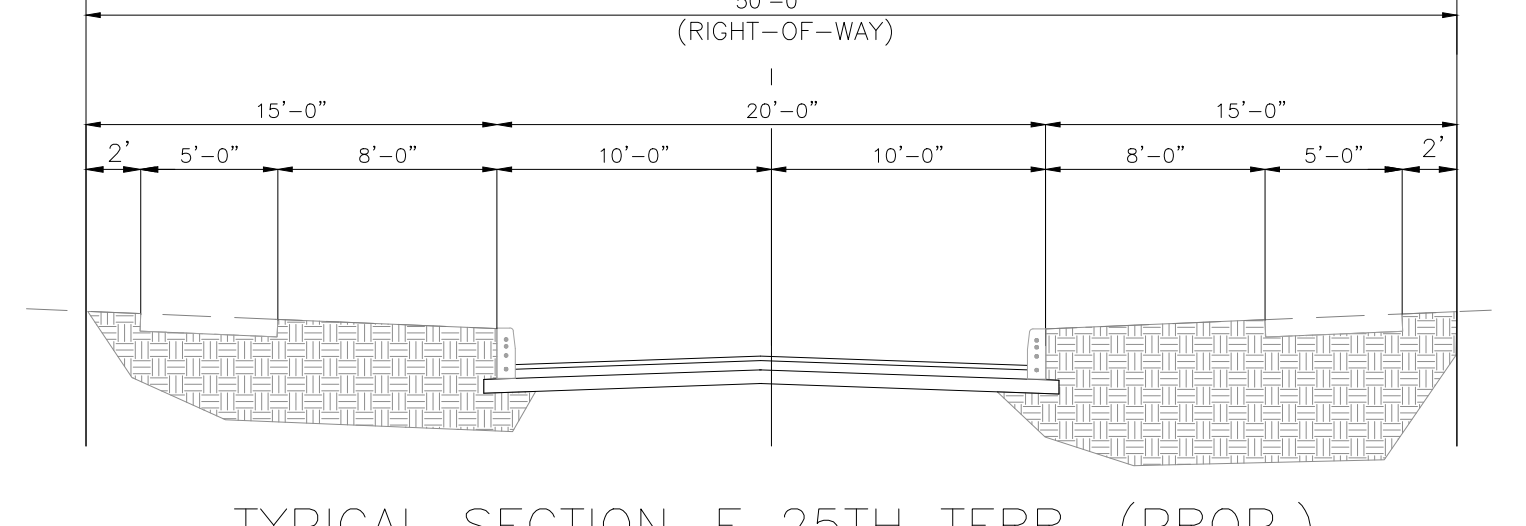
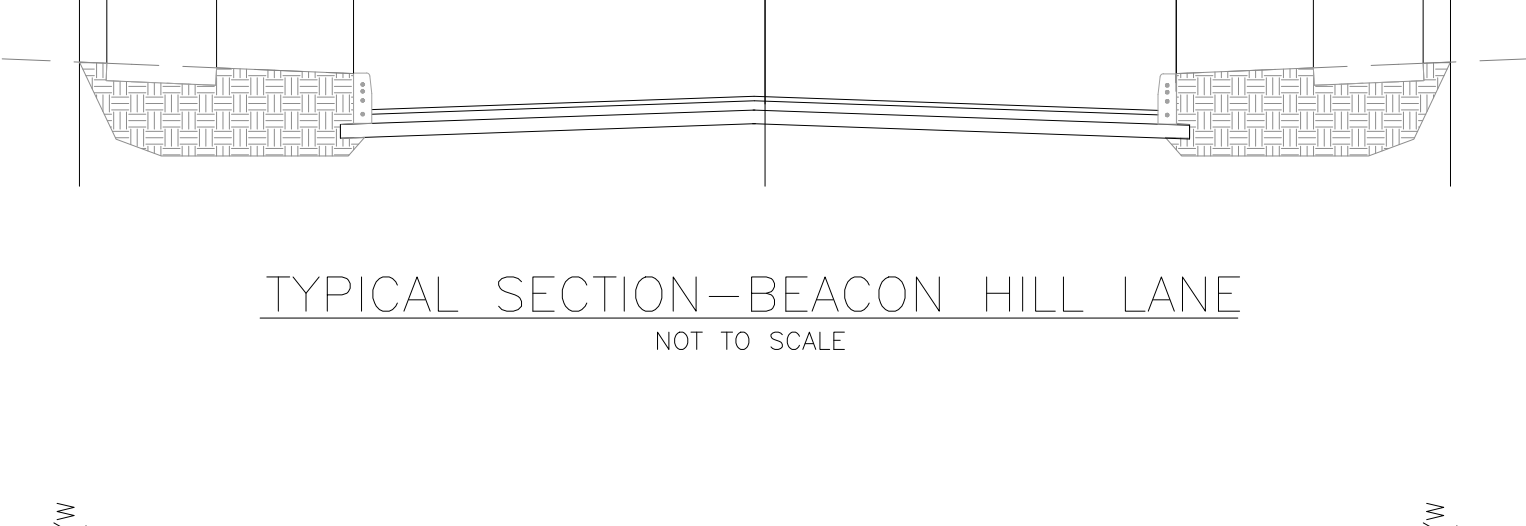
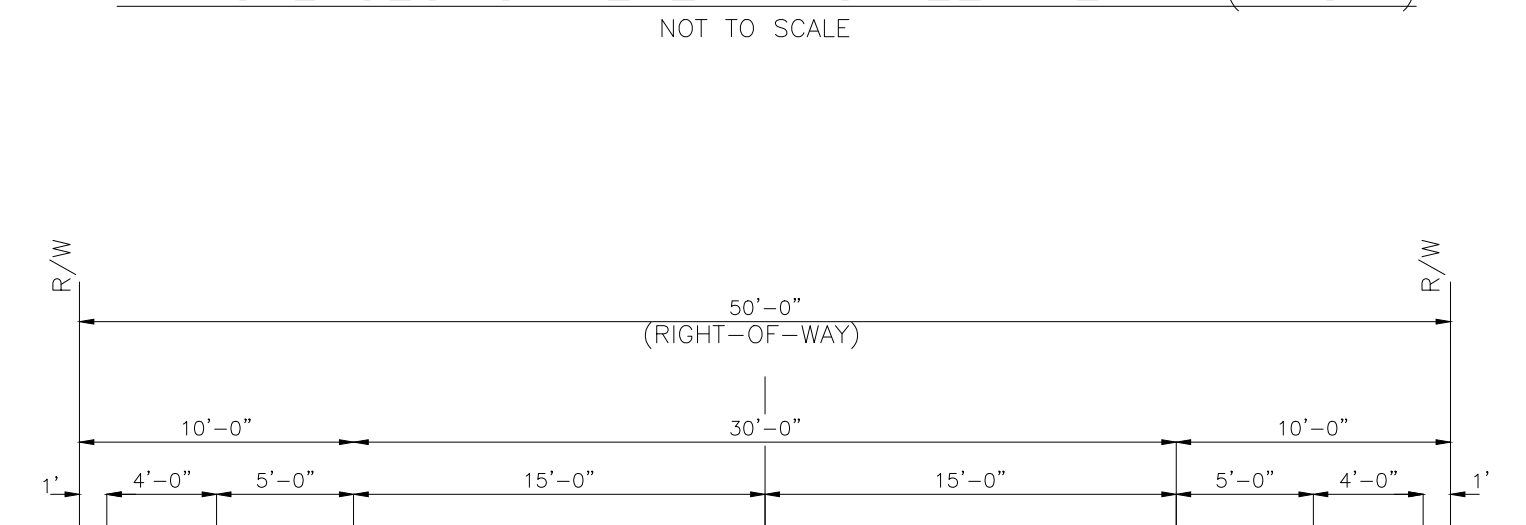
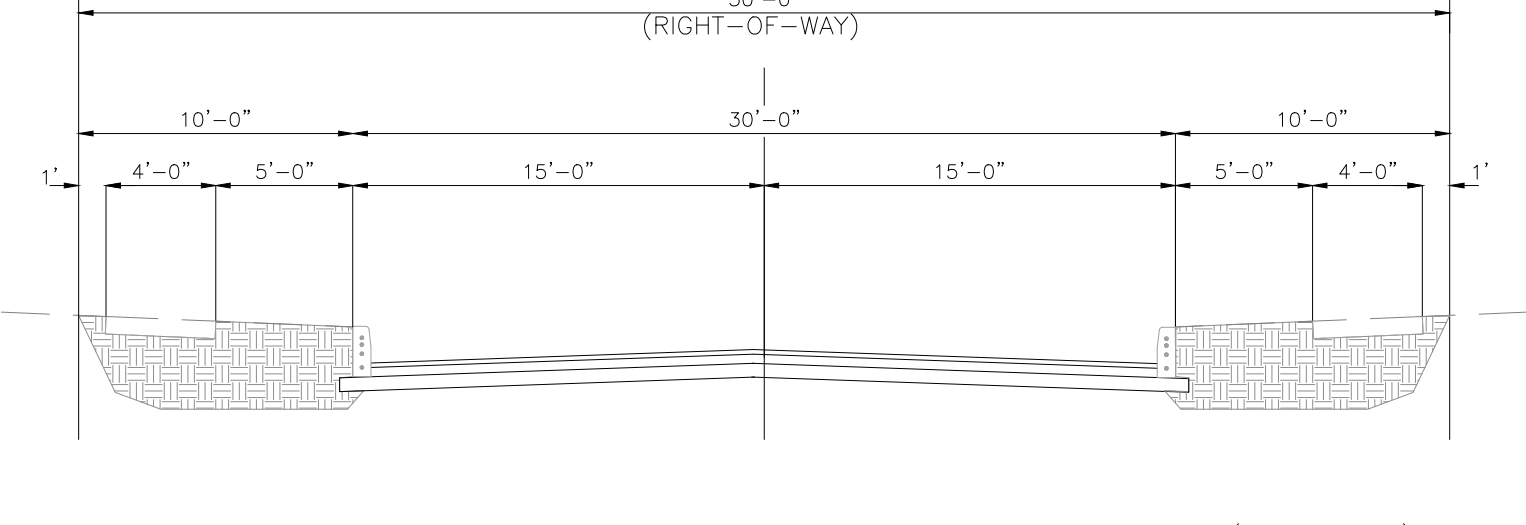
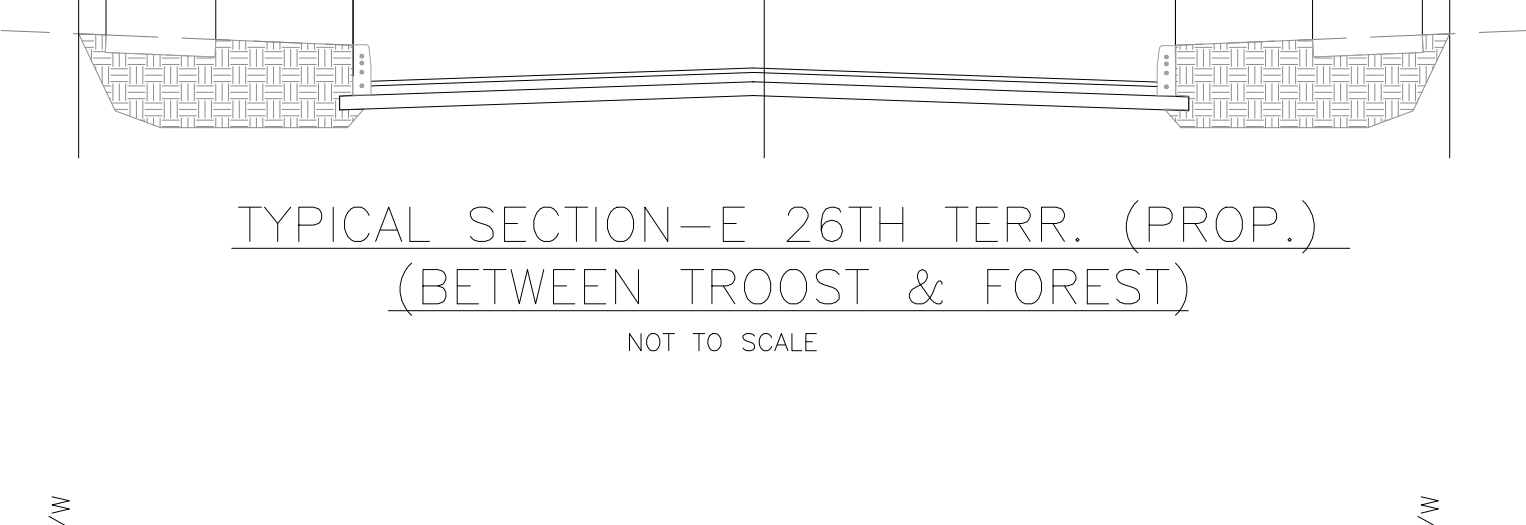
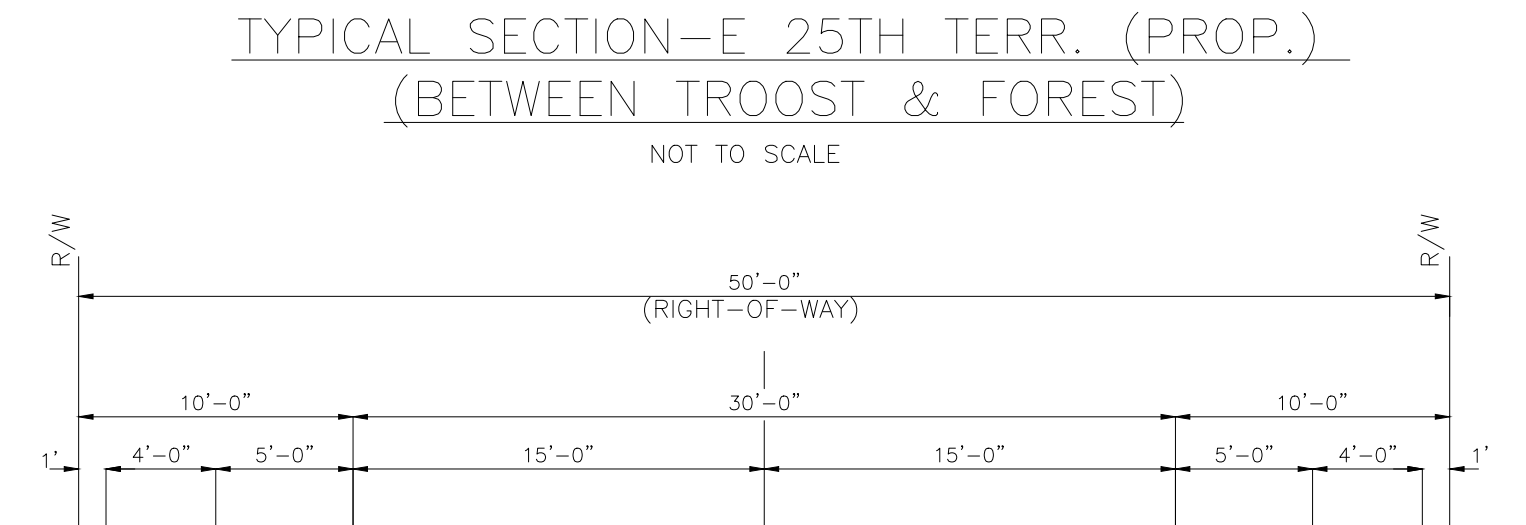
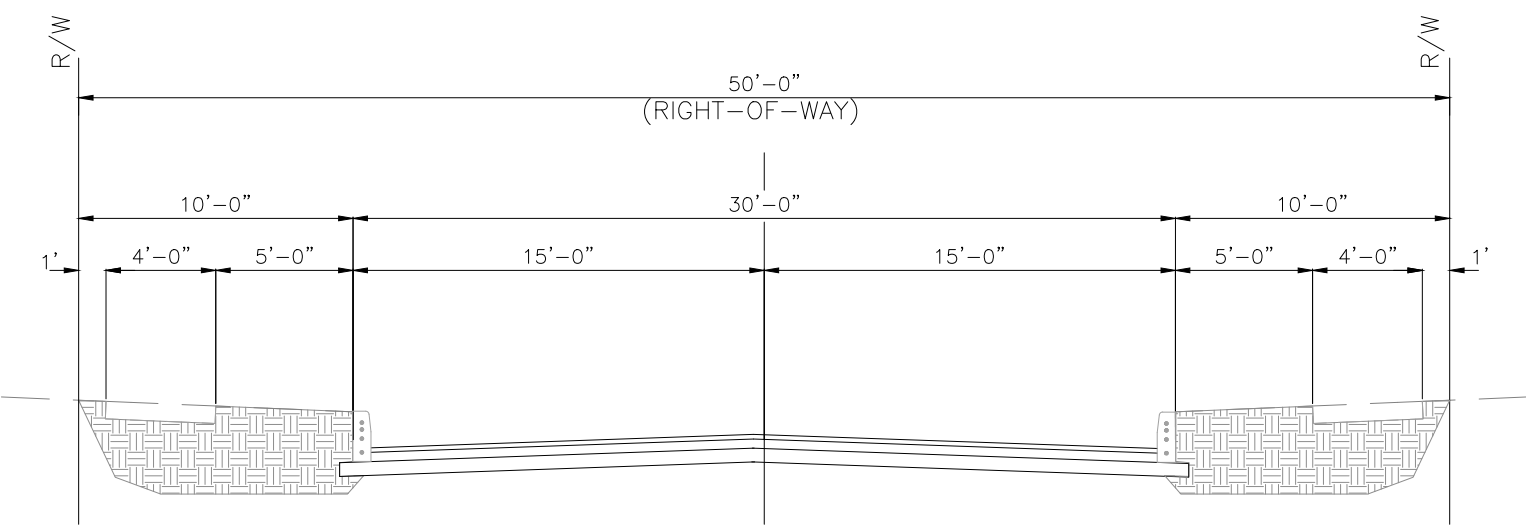
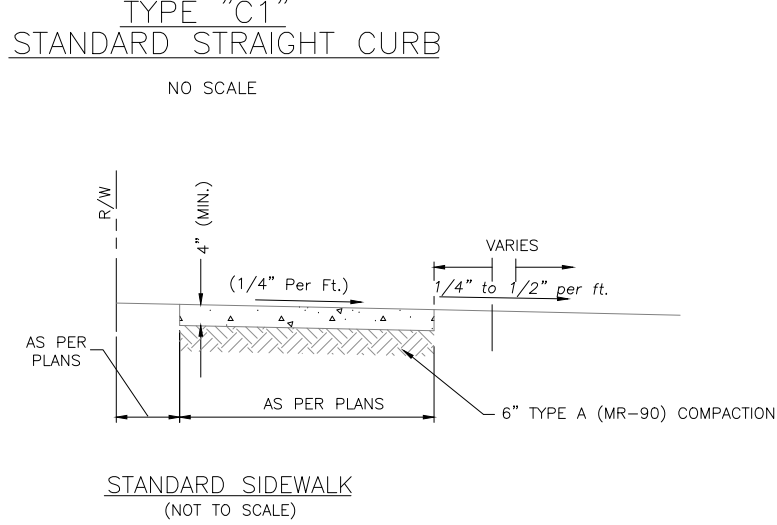
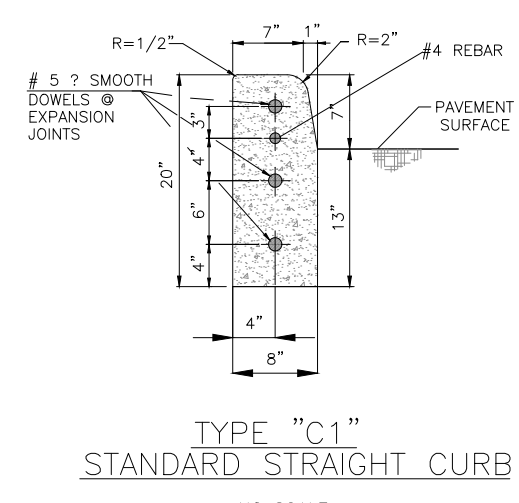


LEGEND

- Proposed Streets
- Proposed Lanes
- Vacated ROW
- Existing ROW
- Existing Street
- Private Street

NOTES:

- BASEMAP IS NOT TO SCALE WITH RESPECT TO STREET WIDTHS. CORRECT WIDTHS HAVE BEEN PROVIDED FOR EACH STREET SEGMENT.
- STREET NAMES CORRECT PER STREET NAMING COMMITTEE.
- UTILITY EASEMENTS IN VACATED STREETS WILL BE RETAINED. UTILITIES WILL NOT BE RELOCATED.



BEACON HILL REDEVELOPMENT
Kansas City, Missouri

SEIDEL/HOLZMAN HNTB
Master Planner Design Architect Urban Designer Landscape Architect

NOT TO SCALE

BEACON HILL NEIGHBORHOOD UR REDEVELOPMENT SUBMITTAL

TB Taliaferro & Browne, Inc.
Engineering - Landscape Architecture - Surveying



INDEX OF DRAWINGS

Sheet Number	Sheet Title
UR 1	COVER SHEET
UR 2	2002 EXISTING CONDITIONS LEGAL DESCRIPTION
UR 3	EXISTING AND PROPOSED ZONING SITE PLAN, PHASING PLAN
UR 4	SITE PLAN
UR 5	SETBACKS
UR 6	STREETS AND STREET SECTIONS
UR 7	STORMWATER CONCEPT PLAN
UR 8	LANDSCAPE CONCEPT PLAN
UR 9	LIGHTING AND SIGNAGE CONCEPT PLAN
UR 10	BEACON PARK DEVELOPMENT
UR 11	UMKC STUDENT HOUSING
UR 12	BEACON HILL HOTEL SITE PLAN
UR 13	BEACON HILL HOTEL LANDSCAPE PLAN
UR 14	27TH & TROOST
UR 15	BEACON HILL SOUTHWEST QUADRANT
UR 16	MOUNT PROSPECT

UR SET TB PROJECT 90-3590 REVISED JULY 28, 2017

STREETS AND STREET SECTIONS UR 6

K:\NET\JOB90-3590\DESIGN\UR-PLANS\6-STREETSECTION.DWG, JULY 18, 2017, ANEHR\LENGEBAW